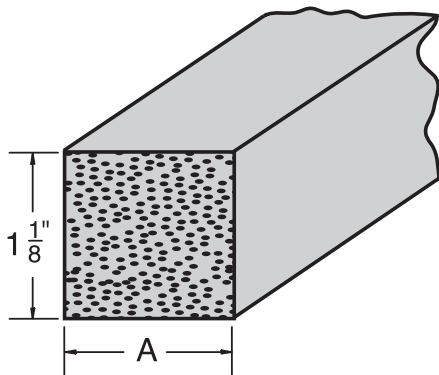




## Styrofoam Filler

The Styrofoam Filler is inserted in the strut to prevent any concrete seepage.



USE WITH SH-STRUT	A
SH142IN	1 1/4
SH164IN	3/4