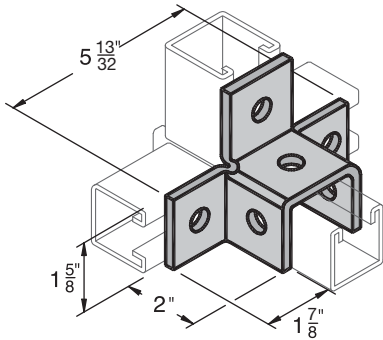




SWF668 (A328)

Six Hole Triple Corner Wing Fitting

Electro-Galvanized
Wt. 1.07 Lbs.
10/Box



Material Width: 1 5/8" • Thickness: 1/4" • Hole Diameter: 9/16" • Hole Spacing: 1 7/8" • Hole Center From Edge: 13/16"
Other Materials and Products Available Upon Request