



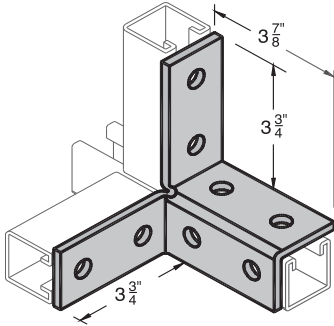
SWF667 (A326-1)

Eight Hole Double Wing Fitting

Electro-Galvanized

Wt. 1.56 Lbs.

10/Box



Material Width: $1\frac{5}{8}$ " • Thickness: $\frac{1}{4}$ " • Hole Diameter: $\frac{9}{16}$ " • Hole Spacing: $1\frac{7}{8}$ " • Hole Center From Edge: $1\frac{3}{16}$ "
Other Materials and Products Available Upon Request