



**SSB926 (B603)**

**Strut Brace**

Electro-Galvanized

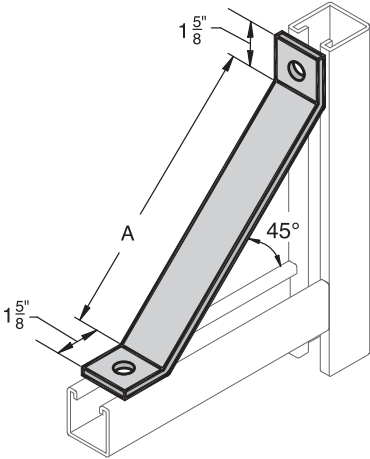


FIG. #	A	STD. PKG.	WEIGHT EACH, LBS.
SSB926-12 (B603-2)	12	25	1.68
SSB926-1658 (B603-1)	16 <sup>5</sup> / <sub>8</sub>	25	2.30

Material Width: 1<sup>5</sup>/<sub>8</sub>" • Thickness: 1/4" • Hole Diameter: 9/16" • Hole Spacing: 1<sup>7</sup>/<sub>8</sub>" • Hole Center From Edge: 1<sup>3</sup>/<sub>16</sub>"  
 Other Materials and Products Available Upon Request