



SSB809 (T611)

Double Channel Bracket

Electro-Galvanized

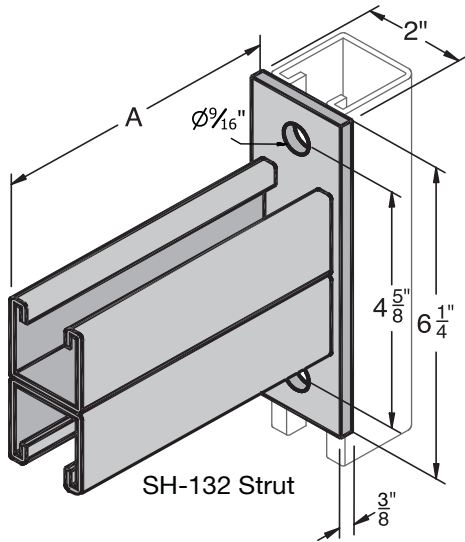


FIG. #	A	STD. PKG.	WEIGHT EACH, LBS.	MAX. REC. LOAD, LBS.
SSB809-12 (T611-12)	12	5	4.90	1650
SSB809-18 (T611-18)	18	5	6.70	1100
SSB809-24 (T611-24)	24	5	8.60	830
SSB809-30 (T611-30)	30	5	10.50	650
SSB809-36 (T611-36)	36	5	12.40	550
Mounted to 12 ga. Strut				