



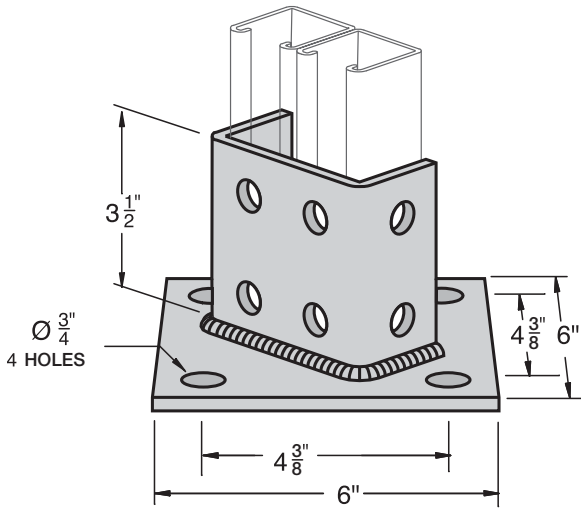
**SPB3064 (B620A)**

**Double Post Base Double**

Electro-Galvanized

Wt. 3.75 Lbs.

5/Box



Material Width: 1 5/8" • Thickness: 1/4" • Hole Diameter: 3/16" • Hole Spacing: 1 7/8" • Hole Center From Edge: 13/16"  
 Other Materials and Products Available Upon Request