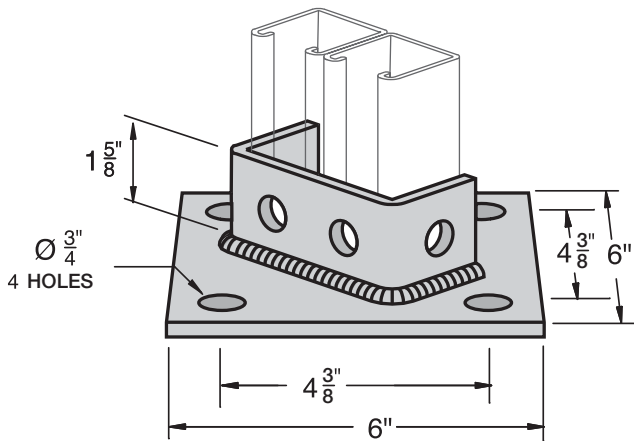




SPB3029 (B619A)

Double Post Base

Electro-Galvanized
 Wt. 3.20 Lbs.
 10/Box



Material Width: $1 \frac{5}{8}$ " • Thickness: $\frac{1}{4}$ " • Hole Diameter: $\frac{3}{16}$ " • Hole Spacing: $1 \frac{7}{8}$ " • Hole Center From Edge: $1 \frac{3}{16}$ "
 Other Materials and Products Available Upon Request