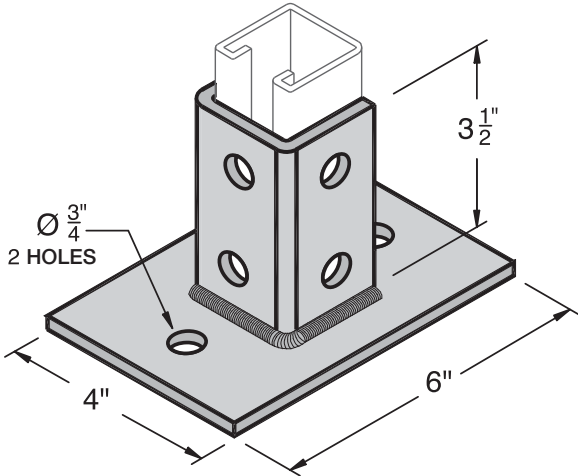




SPB3025 (B620-1)

Single Post Base Double

Electro-Galvanized
Wt. 2.92 Lbs.
10/Box



Material Width: 1 5/8" • Thickness: 1/4" • Hole Diameter: 3/8" • Hole Spacing: 1 7/8" • Hole Center From Edge: 1 3/16"
Other Materials and Products Available Upon Request