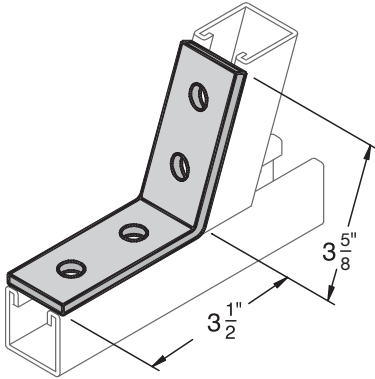




SOA781-45 (A3194-6)

**Four Hole Open
45° Angle**

Electro-Galvanized
Wt. 0.75 Lbs.
25/Box



Material Width: 1 5/8" • Thickness: 1/4" • Hole Diameter: 9/16" • Hole Spacing: 1 7/8" • Hole Center From Edge: 1 3/16"
Other Materials and Products Available Upon Request