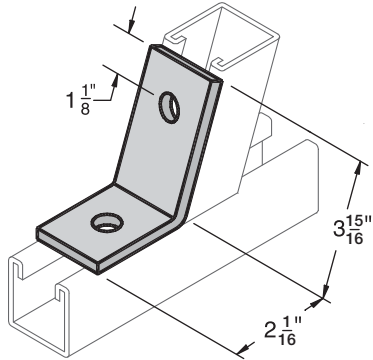




**SOA633-45 (A316)**

## Two Hole Open 45° Angle

Electro-Galvanized  
Wt. 0.58 Lbs.  
25/Box



Material Width:  $1\frac{5}{8}$ " • Thickness:  $\frac{1}{4}$ " • Hole Diameter:  $\frac{9}{16}$ " • Hole Spacing:  $1\frac{1}{8}$ " • Hole Center From Edge:  $1\frac{3}{16}$ "  
Other Materials and Products Available Upon Request