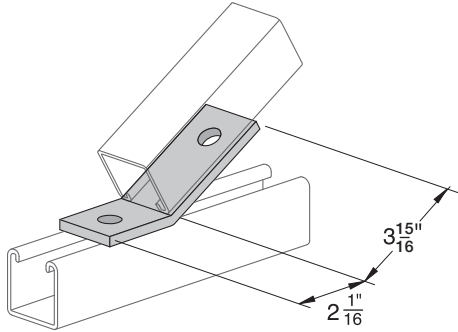




**SOA633-2212 (A320-2)**

**Two Hole Open  
22½° Angle**

Electro-Galvanized  
Wt. 0.58 Lbs.  
25/Box



Material Width: 1 5/8" • Thickness: 1/4" • Hole Diameter: 9/16" • Hole Spacing: 1 7/8" • Hole Center From Edge: 1 3/16"  
Other Materials and Products Available Upon Request