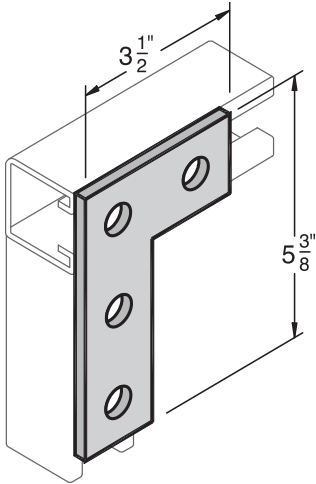




SFP718-1 (F214)

**Four Hole Flat
Corner Plate 90°**

Electro-Galvanized
Wt. 0.75 Lbs.
20/Box



Material Width: 1 5/8" • Thickness: 1/4" • Hole Diameter: 9/16" • Hole Spacing: 1 7/8" • Hole Center From Edge: 1 3/16"
Other Materials and Products Available Upon Request