



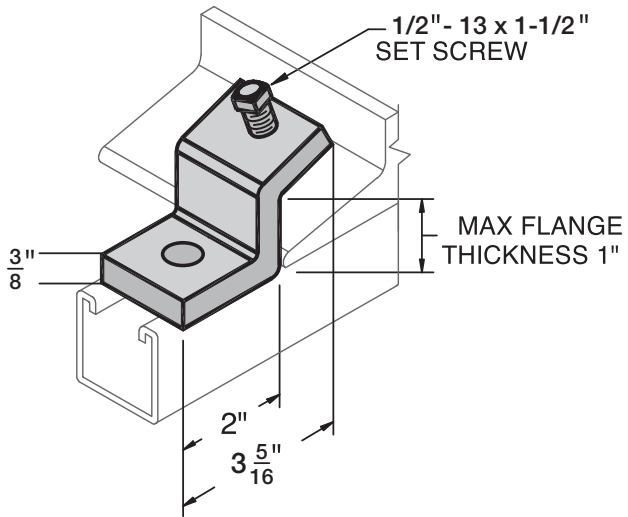
SBC685-1S (C406)

Beam Clamp

Electro-Galvanized

Wt. 0.67 Lbs.

25/Box



Maximum Recommended Load: 600 lbs per pair