



SBC2651 (C402)

Beam Clamp

Electro-Galvanized
25/Box

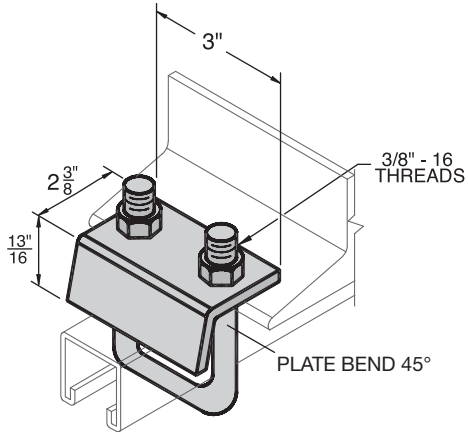


FIG. #	USE WITH	U-BOLT LENGTH	WEIGHT EACH, LBS.	MAX. REC. LOAD, LBS.
SBC2651-T1 (C402-132)	SH132	3 ³ / ₈	0.82	1200
SBC2651-T2 (C402-122)	SH132A	5	0.92	1200

Note: Maximum recommended load only when used in pairs.