



SRBB

Rooftop Supports

SERVICE: For installation on most types of roofing material or other flat surfaces. Can be used as a curb (sleeper) replacement. Rooftop supports are designed for various applications such as: HVAC supports, solar racking, duct supports, air conditioning supports, cable tray systems, pipe supports and conduit supports.

MATERIAL: 100% UV resistant recycled rubber. **MADE IN THE USA.**

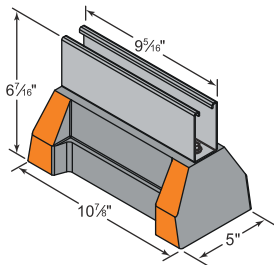
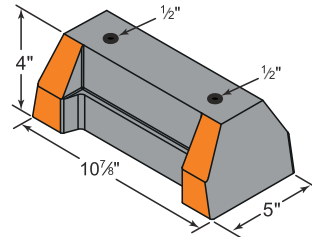
ORDERING: Specify figure number, pipe size (for roller only) and finish on strut (if applicable).

DESCRIPTION	HEIGHT	WIDTH	BASE LENGTH	THROUGH HOLE	WEIGHT EACH, LBS	UNIFORM CAPACITY, LBS
HBS SH-Block Roof Base Only	4	5	10 ⁷ / ₈	1/2	4.8	2,500

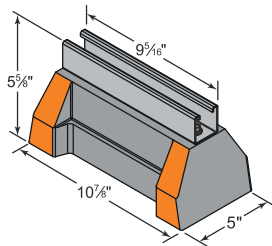
NOTE: This load is only for the capacity of the components in this assembly. Please consult roofing manufacturer or engineer for roof capacity.



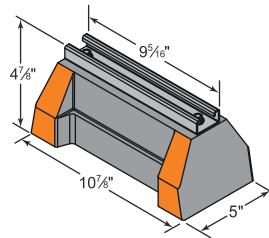
Base Area = 33.1 Sq. In.



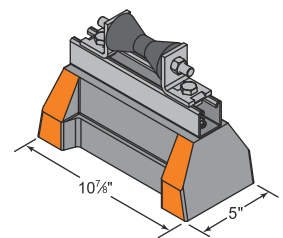
With SH122 Strut



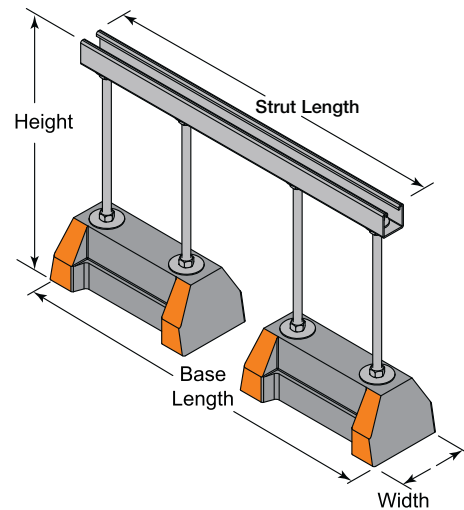
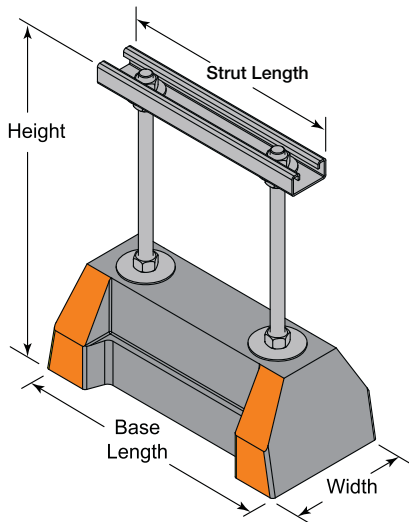
With SH132 Strut



With SH164 Strut



With SH132 & Roller



HBS SH-Block Base with SH132 or SH164 Strut & Threaded Rod Riser

DESCRIPTION	HEIGHT	WIDTH	NO. OF BASES	STRUT LENGTH	STRUT SIZE	BASE LENGTH	WEIGHT EACH, LBS	UNIFORM CAPACITY, LBS
HBS SH-Block w/ SH164	8	5	1	9 ⁵ / ₁₆	1 ³ / ₁₆	10 ⁷ / ₈	6.89	1000
HBS SH-Block w/ SH164	12		1				7.34	1000
HBS SH-Block w/ SH132	16		2	24	1 ¹ / ₂	26	15.85	1462

NOTE: Various sizes and combinations are available upon request.