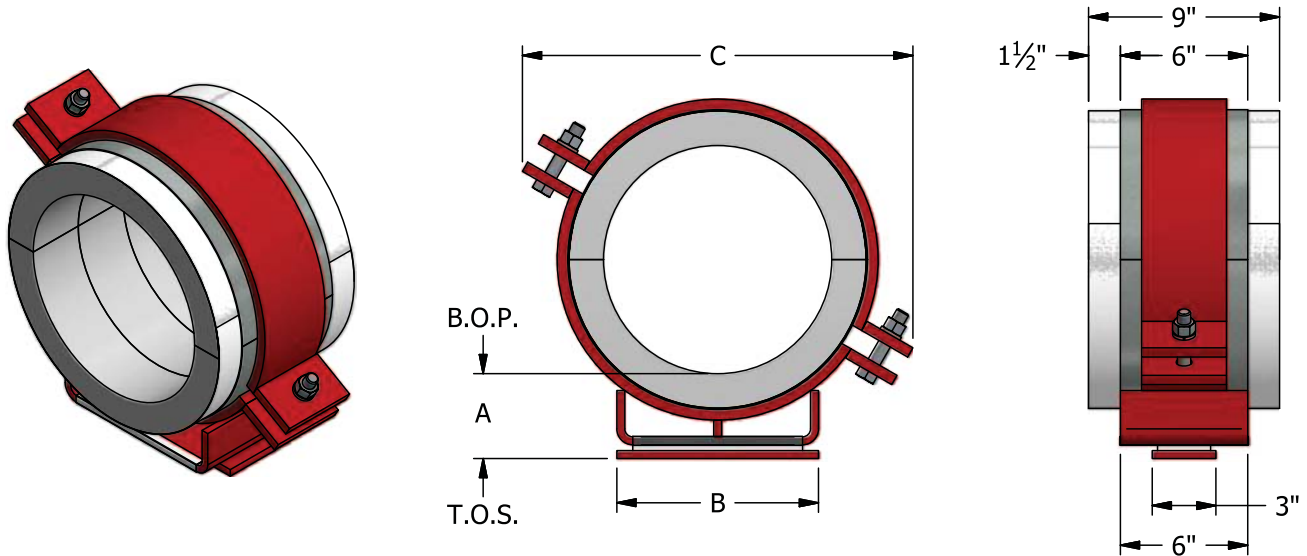




FIG. NS10

Pre-Insulated Sliding Pipe Support
 ± 1½" Axial Movement, ± ½" Lateral Movement



Ordering: Fig. NS10 - (Pipe Size) x (Insulation Thickness) - (Insulation Grade)(Finish) e.g. NS10-8x2-5H

PIPE SIZE	VERT. LOAD GRADE 5	VERT. LOAD GRADE 6	INS. THK. = 1"			INS. THK. = 1½"			INS. THK. = 2"			INS. THK. = 2½"			INS. THK. = 3"			INS. THK. = 4"		
			A	B	C	A	B	C	A	B	C	A	B	C	A	B	C	A	B	C
2"	1100	1500	4	2.5	8.81	4	3	9.75	5	4	10.69	5	4.5	11.56	6	5.5	12.44	6	7.5	14.25
2½"	1350	1800	4	2.5	9.25	4	4	10.69	5	4.5	11.56	5	5.5	12.44	6	6.5	13.25	6	8	15.13
3"	1600	2100	4	3	9.75	4	4	10.69	4	4.5	11.56	5	5.5	12.44	6	6.5	13.25	6	8	15.13
4"	2500	3350	4	4	10.69	4	4.5	11.56	4	5.5	12.44	5	6.5	13.25	6	7.5	14.25	6	9	16
5"	3100	4200	4	4.5	12.25	4	5.5	13.06	4	6.5	13.94	5	7.5	14.94	6	8	15.81	6	9.5	17.75
6"	3800	5100	4	5.5	13.06	4	6.5	13.94	4	7.5	14.94	5	8	15.81	6	9	16.69	6	10.5	18.63
8"	5100	6800	4	7.5	14.94	4	8	15.81	4	9	16.69	6	9.5	17.75	6	10.5	18.63	6	12	20.38
10"	6000	8000	4	9	17.31	4	9.5	18.38	4	10.5	19.25	6	11	20.13	6	12	21	6	13	22.75
12"	6600	8800	4	10.5	19.25	4	11	20.13	4	12	21	6	12.5	21.88	6	13	22.75	6	14.5	24.5
14"	7500	10000	4	11	20.13	4	12	21	4	12.5	21.88	6	13	22.75	6	14	23.63	6	15.5	25.31
16"	8700	11600	4	12.5	23.19	4	13	24.06	6	14	24.94	6	14.5	25.81	6	15.5	26.69	8	16.5	28.38
18"	9600	12800	4	14	24.94	4	14.5	25.81	6	15.5	26.69	6	16	27.5	6	16.5	28.38	8	18	30.13
20"	10200	13600	4	15.5	26.69	4	16	27.5	6	16.5	28.38	6	17.5	29.25	6	18	30.13	8	19.5	31.88
24"	10800	14400	4	18	30.13	4	19	31	6	19.5	31.88	6	20.5	32.75	6	21	33.63	8	22.5	35.31
30"	14100	18800	4	22.5	35.81	6	23	36.62	6	24	37.5	6	24.5	38.38	6	25	39.25	8	26.5	41
36"	16500	22000	4	26.5	43.63	6	27.5	44.5	6	28	45.38	6	28.5	46.25	6	29.5	47.13	8	31	48.81
42"	18600	24800	4	31	48.81	6	31.5	49.69	6	32.5	50.56	6	33	51.44	6	33.5	52.31	8	35	54.06

<p>Applications:</p> <ul style="list-style-type: none"> Allows moderate axial travel and small lateral travel while providing vertical support Designed for use on: Chilled Water Hot Water Steam Installation: welded to flat steel surface Temperature Range: +20°F to +1200°F Axial Travel: ± 1½" Lateral Travel: ± ½" 	<p>Features:</p> <ul style="list-style-type: none"> Eliminates welding to pipe Provides continuous, zero permeability vapor barrier Insulation extends beyond shield 1½" each side Structural insulation for load transfer Stainless steel to UHMW polyethylene slide Static Coefficient of Friction = 0.15 ASTM E-84 Flame Spread/Smoke Developed: 10/20 Thermal Conductivity Grade 5 = 0.54 Btu•in/(hr•ft²•°F) @ 200°F Grade 6 = 0.61 Btu•in/(hr•ft²•°F) @ 200°F Insulation chemically bonded 	<p>Material Data:</p> <p>Insulation: Calcium Silicate meeting ASTM C-585 and C-656 Type II Grade 5: 450 psi, 20 pcf Grade 6: 900 psi, 28 pcf other insulation materials, Page 34</p> <p>Base/Clamp: ASTM A-36 Carbon Steel Fasteners: ASTM A-307 Electro-Galv. Plated Slide: ASTM A-240 Type 304 Stainless Steel on UHMW Polyethylene Shield: ASTM A-653 G-90, 18 ga Galv. Steel Vapor Barrier: ASTM E-96 All Service Jacket Finishes: (H) Hot-Dip Galv. per ASTM A-123 (P) Painted Red Shop Primer (B) Unfinished</p>
--	---	---