



**KLO-9**

**Klo-Shure® 9-Series Insulation Coupling w/ Strut Clamp**

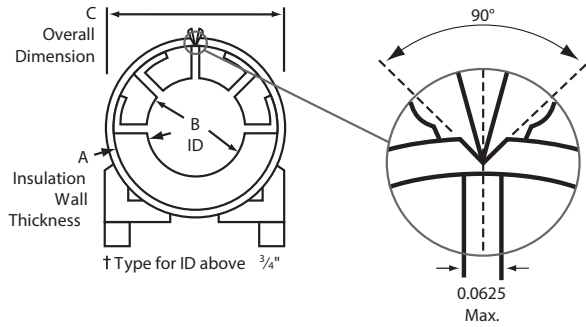
**SERVICE:** For use on tube and pipe runs subject to damage from shock and vibration. Insulates the tube and pipe runs and ensures a complete vapor barrier, eliminating mold and corrosion. Sized for use with fiberglass insulation and acceptable for horizontal, vertical and inverted installations. No cutting, taping, gluing or foam necessary.

**MATERIAL:** Carbon Steel with a Dupont Hytel Thermoplastic insert

**FINISH:** Zinc-Dichromate

**APPROVALS:** UL Classified Flame/Smoke for use in plenums

**ORDERING:** Specify figure number.



INSULATION THICKNESS A	FIG#	PIPE SIZE	KLO-SHURE ID - PIPE OD B	OVERALL DIMENSION C	STD. PKG.
1/2	924084	1/2	0.840	2.025	20
	924105	3/4	1.050	2.285	20
	924131	1	1.315	2.500	10
	924166	1 1/4	1.660	2.845	10
	924190	1 1/2	1.900	3.285	10
1	928084	1/2	0.840	3.008	10
	928105	3/4	1.050	3.008	10
	928131	1	1.315	3.638	10
	928166	1 1/4	1.660	3.638	10
	928190	1 1/2	1.900	4.138	10
	928237	2	2.375	4.648	10
1 1/2	929084	1/2	0.840	4.138	10
	929105	3/4	1.050	4.138	10
	929131	1	1.315	4.648	10
	929166	1 1/4	1.660	5.138	10
	929190	1 1/2	1.900	5.138	10

INSULATION THICKNESS A	FIG#	KLO-SHURE ID - TUBE OD B	OVERALL DIMENSION C	STD. PKG.
1/2	924062	5/8	1.785	20
	924087	7/8	2.025	20
	924112	1 1/8	2.285	20
	924137	1 3/8	2.500	10
	924162	1 5/8	2.845	10
	924212	2 1/8	3.285	10
1	928062	5/8	3.008	10
	928087	7/8	3.008	10
	928112	1 1/8	3.008	10
	928137	1 3/8	3.638	10
	928162	1 5/8	3.638	10
	928212	2 1/8	4.138	10
	928262	2 5/8	4.648	10
	928312	3 1/8	5.138	10
1 1/2	929087	7/8	4.138	10
	929112	1 1/8	4.138	10
	929137	1 3/8	4.648	10
	929162	1 5/8	4.648	10
	929212	2 1/8	5.138	10