



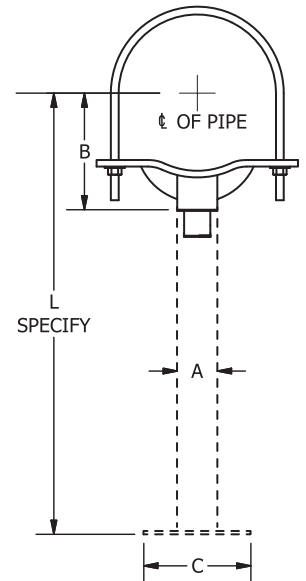
FIG. 519

Pipe Saddle Support w/ DI U-Bolt

FIG. 520

Pipe Saddle Support w/ U-Bolt

SERVICE: For general piping running close to the floor
MATERIAL: Carbon Steel or 304/316 Stainless Steel
FINISH: Black, Electro-Galvanized or Hot-Dip Galvanized
ORDERING: Specify figure number, pipe size, L dimension, material and finish. (Saddle furnished complete with U-Bolt. Gussets will be added to supports for pipe sizes 8" and above. Welded base plate and pipe as shown must be ordered separately.)



**SHOWN WITH
OPTIONAL STAND**

DI PIPE SIZE	A	B	C	WEIGHT EACH, LBS.
4	3	4 ⁵ / ₁₆	10	6.88
6	3	5 ⁹ / ₁₆	10	11.32
8	3	7 ¹ / ₈	10	14.57
10	3	8 ⁵ / ₈	10	18.11
12	3	10 ³ / ₁₆	10	23.34
14	4	11 ⁹ / ₁₆	10	38.92
16	4	13 ¹ / ₁₆	10	44.32
18	4	14 ⁵ / ₈	10	52.67
20	6	16 ³ / ₁₆	12	84.55
24	6	18 ¹³ / ₁₆	12	99.93

PIPE SIZE	A	B	C	WEIGHT EACH, LBS.
4	3	4 ³ / ₁₆	10	6.72
5	3	4 ¹³ / ₁₆	10	7.30
6	3	5 ⁷ / ₁₆	10	11.06
8	3	6 ¹⁵ / ₁₆	10	14.30
10	3	8 ⁷ / ₁₆	10	18.53
12	3	9 ¹⁵ / ₁₆	10	23.92
14	4	10 ¹⁵ / ₁₆	10	39.10
16	4	12 ³ / ₈	10	44.47
18	4	13 ⁷ / ₈	10	52.95
20	6	15 ³ / ₈	12	84.72
24	6	17 ¹⁵ / ₁₆	12	100.00
30	6	21 ⁵ / ₁₆	12	113.10
36	8	24 ¹ / ₂	12	163.74

NOTE: Weights are for saddles only.