



NATIONAL PIPE HANGER CORPORATION

CORPORATE OFFICE - 200 CAMPUS DRIVE, MOUNT HOLLY, NJ 08060 TEL: (609) 261-5353 FAX: (609) 261-3249
MD OFFICE - 8411 OLD MARLBORO PIKE, UPPER MARLBORO, MD 20772 TEL: (301) 568-8805 FAX: (301) 967-1456
 E-MAIL: SALES@NATIONALPIPEHANGER.COM WEBSITE: WWW.NATIONALPIPEHANGER.COM

ROOFTOP SUPPORTS

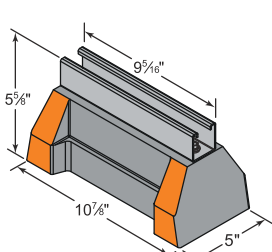
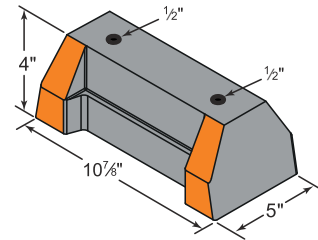
- MATERIAL:** 100% UV resistant recycled rubber. **MADE IN THE USA.**
- SERVICE:** For installation on most types of roofing material or other flat surfaces. Can be used as a curb (sleeper) replacement. Screw fasteners can be used to attach strut or two hole pipe straps (not included). Rooftop supports are designed for various applications such as: HVAC supports, solar racking, duct supports, air conditioning supports, cable tray systems, pipe & conduit supports.
- ORDERING:** Specify pipe size (for roller only), figure number and finish on strut (if applicable).

MODEL NO.	HEIGHT	WIDTH	BASE LENGTH	THROUGH HOLE	WEIGHT EACH, LBS	UNIFORM CAPACITY, LBS
HBS-STANDARD-BASE ONLY	4	5	10 ⁷ / ₈	1 ¹ / ₂	4.8	2,500

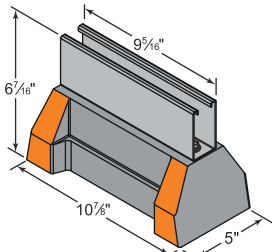
NOTE: This load is only for the capacity of the components in this assembly. Please consult roofing manufacturer or engineer for roof capacity.



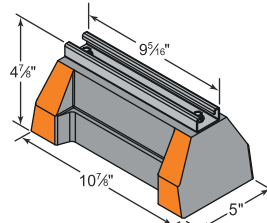
Base Area = 33.1 Sq. In.



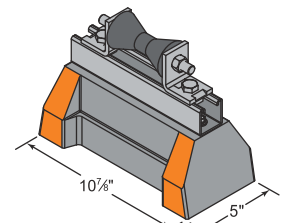
With H-132 Strut



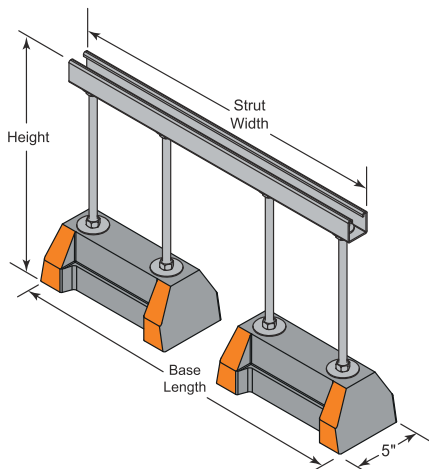
With H-122 Strut



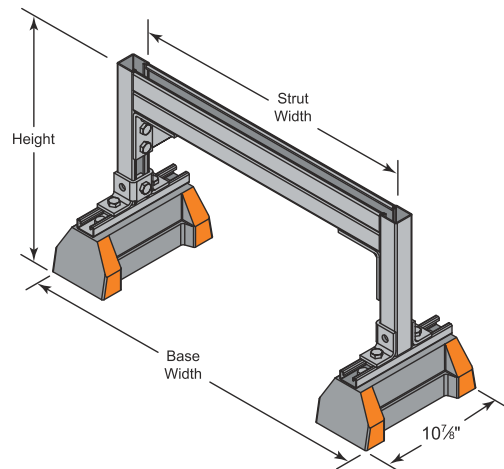
With H-164 Strut



With H-132 & Roller



With Two HBS Bases H-132-A Strut & Threaded Rod



With Two HBS Bases & H-132-A Strut

NOTE: Various sizes and combinations are available upon request.